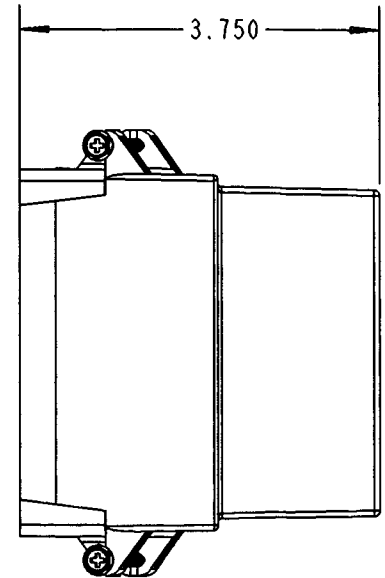
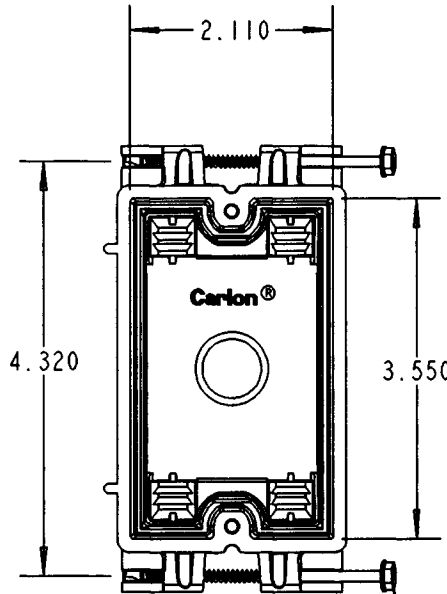


SCALE 0.500

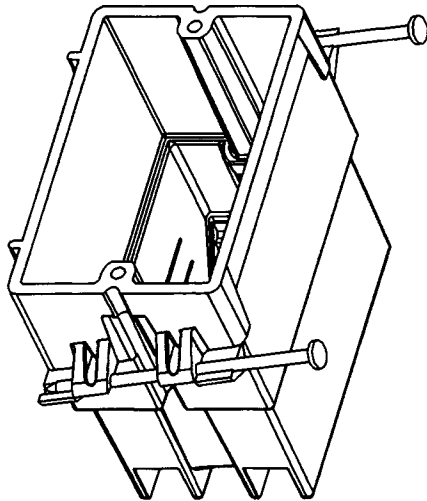
WIRE GA. / CONDUCTORS

11 / 14  
9 / 12  
8 / 10

# BH122S



SCREWS  
P/N G310S

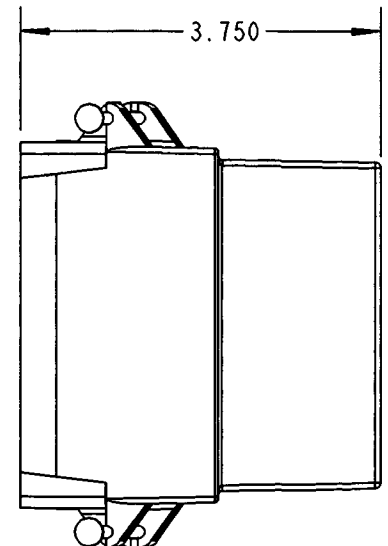
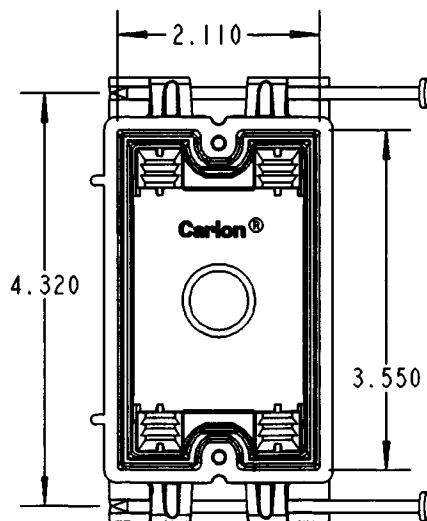


SCALE 0.500

WIRE GA. / CONDUCTORS

11 / 14  
9 / 12  
8 / 10

# BH122A



NAILS  
P/N G310

TITLE 1-GANG SUPER BLUE OUTLET & SWITCH BOX - 22 CU. IN. VOL.

DRN RG 2/5/03

PART NO: BH122A & BH122S

LAMSON & SESSIONS

ALL DRAWINGS ARE THE PROPERTY OF LAMSON & SESSIONS AND SHALL NOT BE REPRODUCED IN ANY FORM WITHOUT LAMSON & SESSIONS' APPROVAL AND ARE TO BE PROMPTLY RETURNED UPON REQUEST.

APP. DATE M. A. R. 2-5-03

DRAWING NO: AC04319

REV.