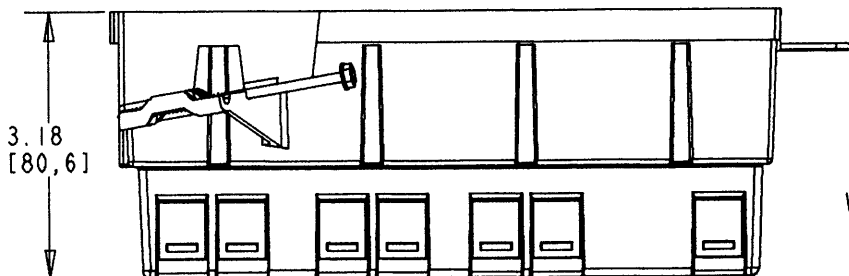
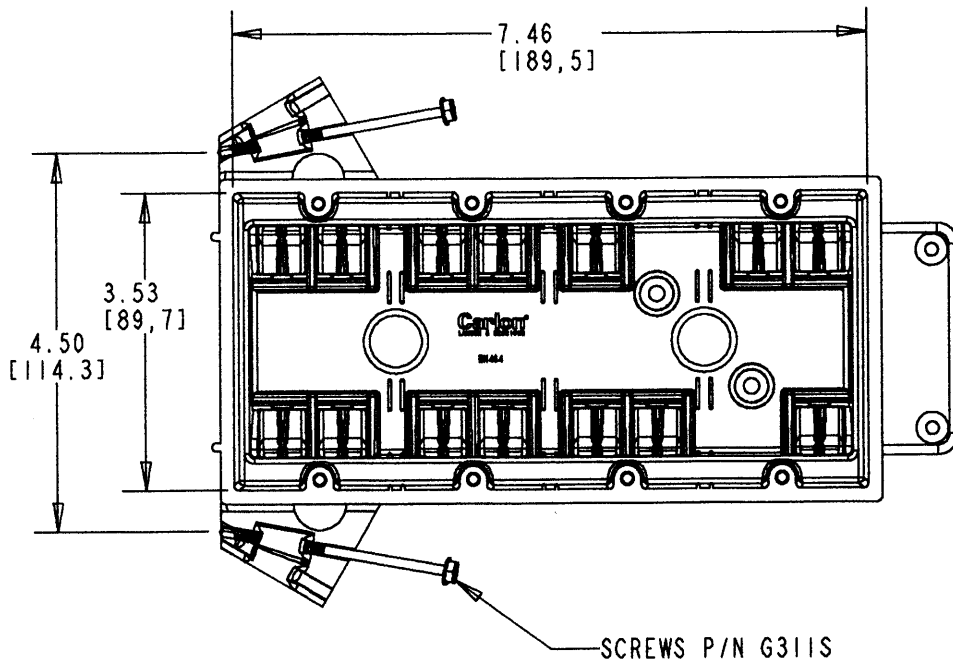
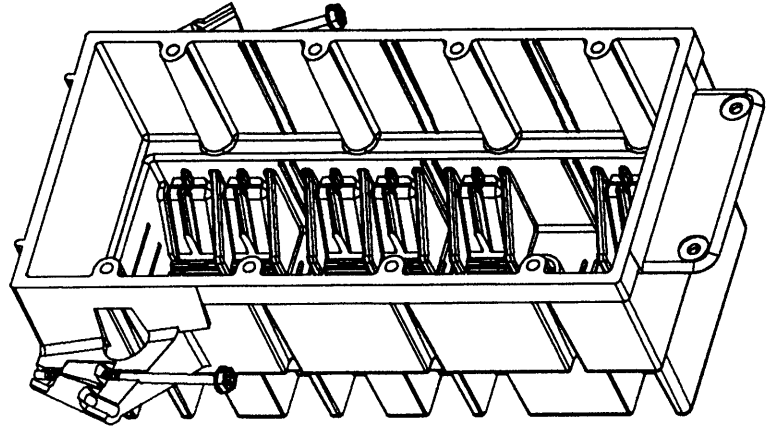


# CARLON



WIRE GA. / CONDUCTORS
31 / 14
28 / 12
25 / 10

TITLE: 4-GANG SUPER BLUE OUTLET & SWITCH BOX - 63.5 CU. IN. VOL

DRN. DATE  
DPR 9-13-99

PART NO:

**BH464S**

**LAMSON & SESSIONS**

ALL DRAWINGS ARE THE PROPERTY OF LAMSON & SESSIONS AND SHALL NOT BE REPRODUCED IN ANY FORM WITHOUT LAMSON & SESSIONS' APPROVAL AND ARE TO BE PROMPTLY RETURNED UPON REQUEST.

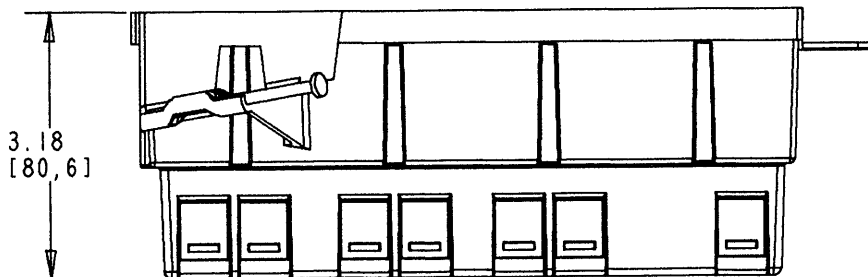
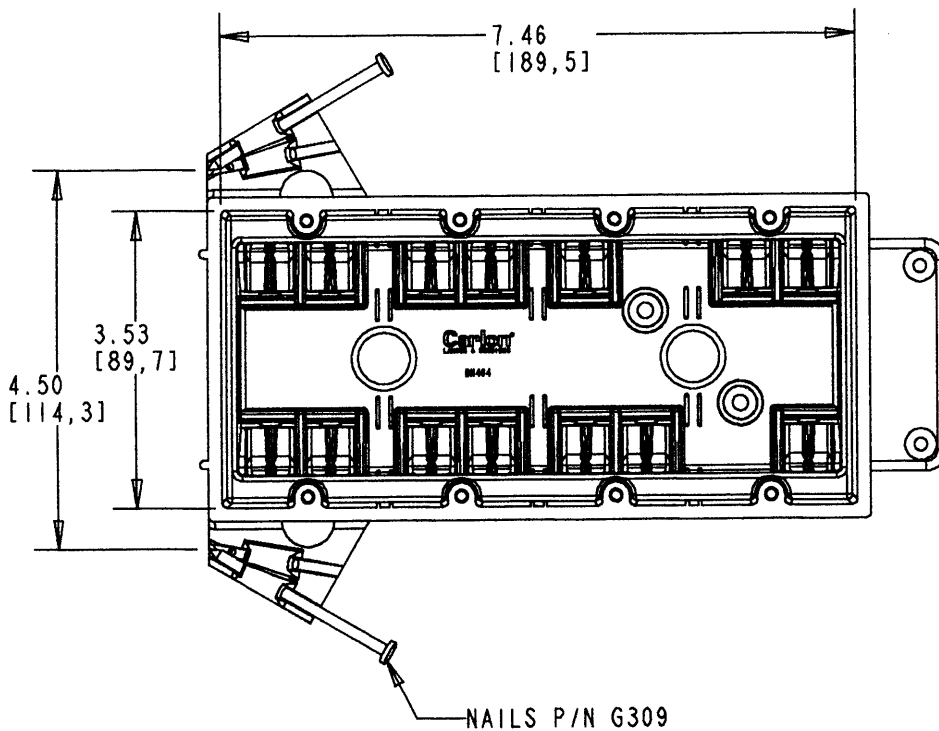
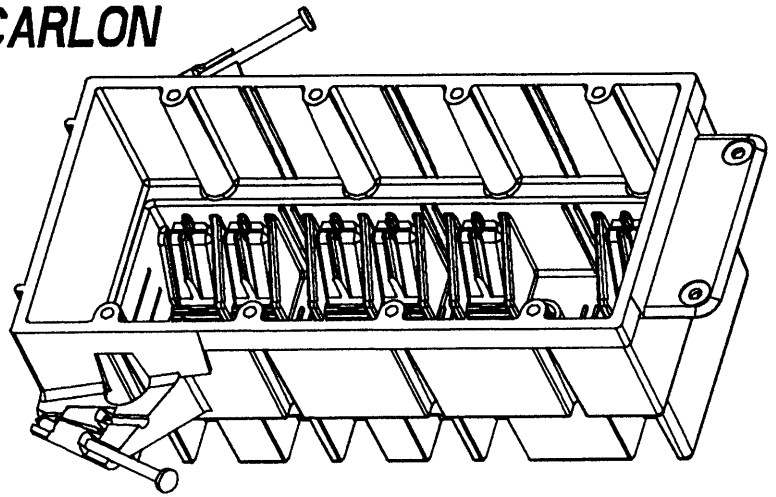
APP. DATE  
KEF 9-14-99

DRAWING NO:

**AC03646**  
SHT. 1 OF 2

REV.  
**A**

# CARLON



WIRE GA. / CONDUCTORS

31 / 14  
28 / 12  
25 / 10

TITLE 4-GANG SUPER BLUE OUTLET & SWITCH BOS - 63.5 CU. IN. VOL.

DRN  
DPR 9-13-99

DATE

PART NO: BH464A

LAMSON & SESSIONS

ALL DRAWINGS ARE THE PROPERTY OF LAMSON & SESSIONS AND SHALL NOT BE REPRODUCED IN ANY FORM WITHOUT LAMSON & SESSIONS' APPROVAL AND ARE TO BE PROMPTLY RETURNED UPON REQUEST.

APP.  
KEF 9-14-99

DATE

DRAWING NO: AC03646  
SHT. 2 OF 2

REV.  
A