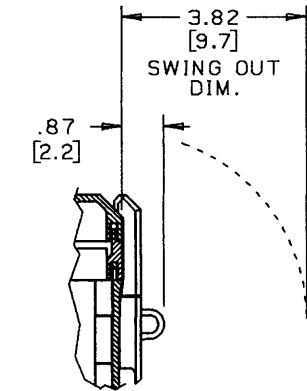
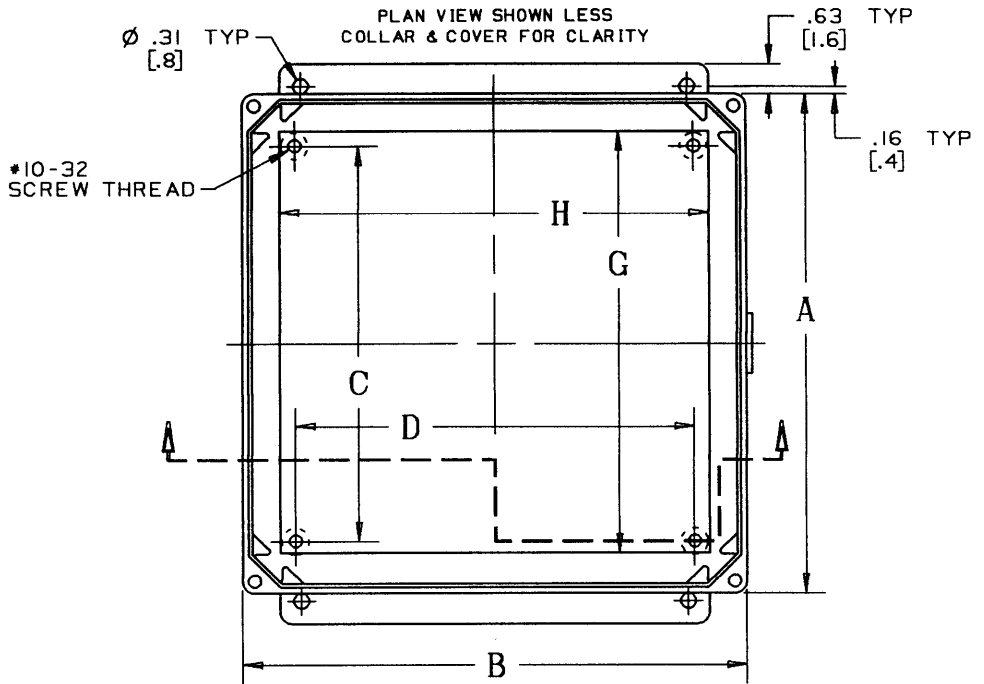
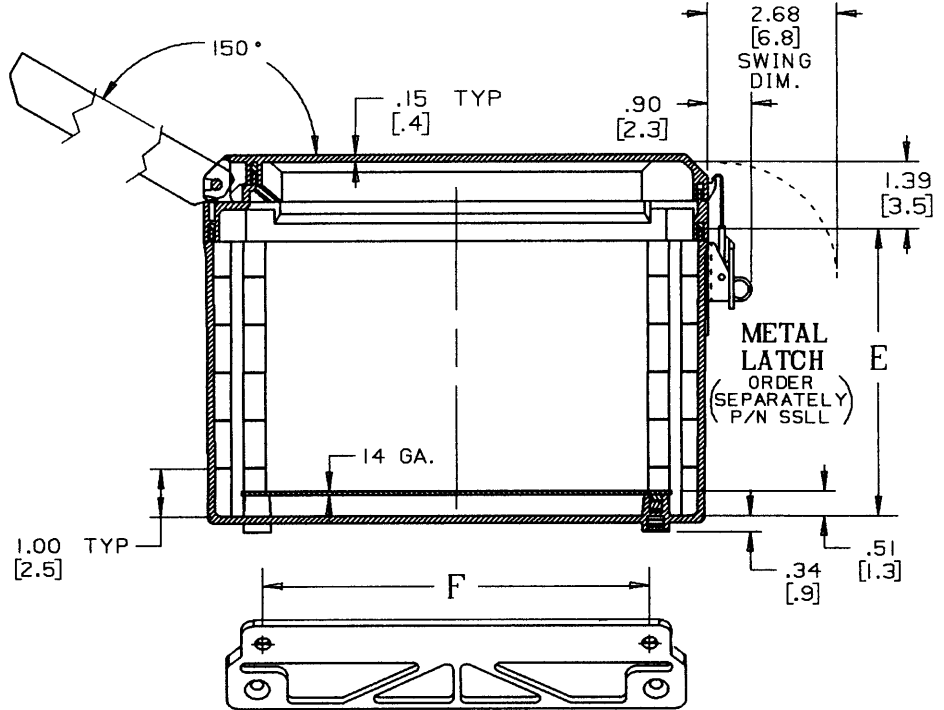


| SIZE   | BACK PANEL       |                  |
|--------|------------------|------------------|
|        | G                | H                |
| JP64   | 4.88<br>(124.0)  | 2.88<br>(73.2)   |
| JP66   | 4.88<br>(124.0)  | 4.88<br>(124.0)  |
| JP86   | 6.75<br>(171.5)  | 4.88<br>(124.0)  |
| JP88   | 6.75<br>(171.5)  | 6.88<br>(174.8)  |
| JPI08  | 8.75<br>(222.3)  | 6.88<br>(174.8)  |
| JPI010 | 8.75<br>(222.3)  | 8.88<br>(225.6)  |
| JPI210 | 10.75<br>(273.1) | 8.88<br>(225.6)  |
| JPI212 | 10.75<br>(273.1) | 10.88<br>(276.4) |
| JPI412 | 12.75<br>(323.9) | 10.88<br>(276.4) |
| JPI614 | 14.75<br>(374.6) | 12.88<br>(327.2) |



**PLASTIC LATCH**  
(ORDER SEPARATELY)  
P/N NPLIL



**LEGEND EXAMPLE**

N I 644  
 — ENCLASURE SIZE  
 — COVER TYPE  
 I-CLEAR COVER W/LATCH  
 H-OPAQUE COVER W/LATCH  
 — NEMA TYPE I-3-35-12-4/4X

NOTES:  
 I. ALL DIMENSIONS ARE INCHES AND (MILLIMETERS).

| SIZE    | A                | B               | C               | D               | E               | F               |
|---------|------------------|-----------------|-----------------|-----------------|-----------------|-----------------|
| -- 644  | 6.42<br>(163.1)  | 4.41<br>(112.0) | 4.25<br>(108.0) | 2.25<br>(57.2)  | 4.00<br>(101.6) | 2.00<br>(50.8)  |
| -- 664  | 6.42<br>(163.1)  | 6.42<br>(163.1) | 4.25<br>(108.0) | 4.25<br>(108.0) | 4.00<br>(101.6) | 4.00<br>(101.6) |
| -- 864  | 8.42<br>(213.9)  | 6.42<br>(163.1) | 6.25<br>(158.8) | 4.25<br>(108.0) | 4.00<br>(101.6) | 4.00<br>(101.6) |
| -- 884  | 8.42<br>(213.9)  | 8.42<br>(213.9) | 6.25<br>(158.8) | 6.25<br>(158.8) | 4.00<br>(101.6) | 6.00<br>(152.4) |
| -- 1084 | 10.42<br>(264.7) | 8.42<br>(213.9) | 8.25<br>(209.6) | 6.25<br>(158.8) | 4.00<br>(101.6) | 6.00<br>(152.4) |

| SIZE     | A                | B                | C                | D                | E               | F                |
|----------|------------------|------------------|------------------|------------------|-----------------|------------------|
| -- 1086  | 10.42<br>(264.7) | 8.42<br>(213.9)  | 8.25<br>(209.6)  | 6.25<br>(158.8)  | 6.00<br>(152.4) | 6.00<br>(152.4)  |
| -- 10106 | 10.42<br>(264.7) | 10.42<br>(264.7) | 8.25<br>(209.6)  | 8.25<br>(209.6)  | 6.00<br>(152.4) | 8.00<br>(203.2)  |
| -- 12106 | 12.42<br>(315.5) | 10.42<br>(264.7) | 10.25<br>(260.4) | 8.25<br>(209.6)  | 6.00<br>(152.4) | 8.00<br>(203.2)  |
| -- 12126 | 12.42<br>(315.5) | 12.42<br>(315.5) | 10.25<br>(260.4) | 10.25<br>(260.4) | 6.00<br>(152.4) | 10.00<br>(254.0) |
| -- 14126 | 14.42<br>(366.3) | 12.42<br>(315.5) | 12.25<br>(311.2) | 10.25<br>(260.4) | 6.00<br>(152.4) | 10.00<br>(254.0) |
| -- 16146 | 16.42<br>(417.1) | 14.42<br>(366.3) | 14.25<br>(362.0) | 12.25<br>(311.2) | 6.00<br>(152.4) | 12.00<br>(304.8) |

|                                |  |                       |                        |
|--------------------------------|--|-----------------------|------------------------|
| TITLE: HIDDEN HINGE ENCLOSURES |  | DRN. DATE: RG 12/6/94 | PART NO.: NH/NI SERIES |
| LAMSON & SESSIONS              | ALL DRAWINGS ARE THE PROPERTY OF LAMSON & SESSIONS AND SHALL NOT BE REPRODUCED IN ANY FORM WITHOUT LAMSON & SESSIONS' APPROVAL AND ARE TO BE PROMPTLY RETURNED UPON REQUEST. | APP. DATE: DK 6/24/97 | DRAWING NO.: AC02094   |
|                                |  |                       | REV. B                 |