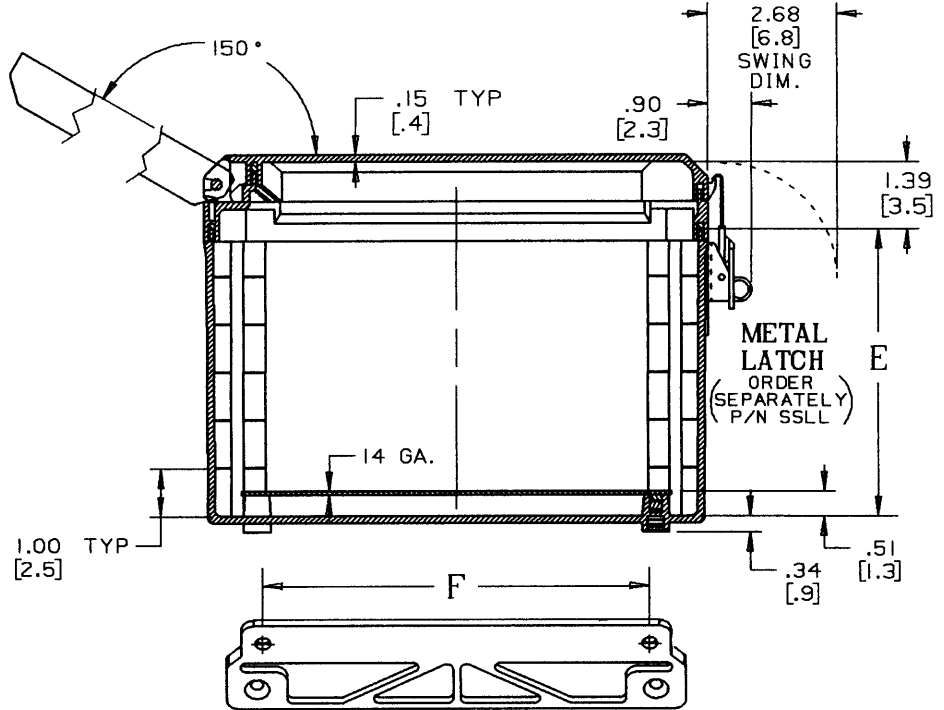
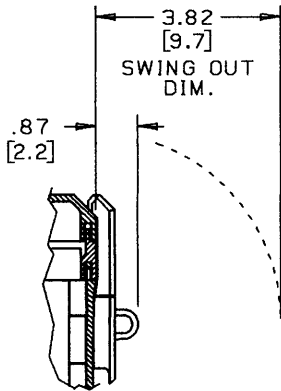
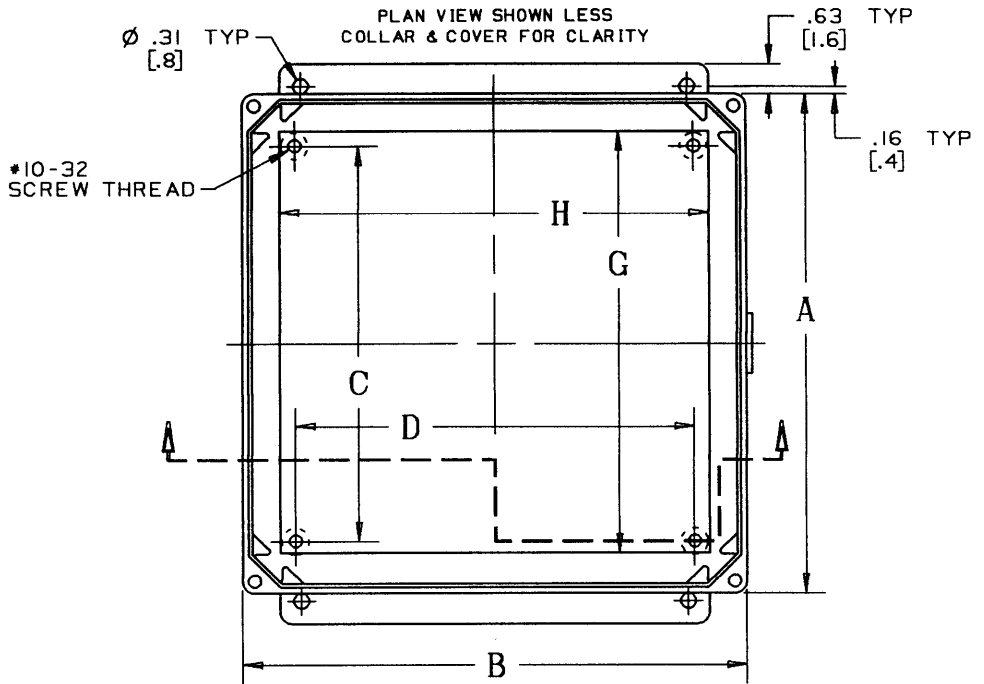


SIZE	BACK PANEL	
	G	H
JP64	4.88 (124.0)	2.88 (73.2)
JP66	4.88 (124.0)	4.88 (124.0)
JP86	6.75 (171.5)	4.88 (124.0)
JP88	6.75 (171.5)	6.88 (174.8)
JPI08	8.75 (222.3)	6.88 (174.8)
JPI010	8.75 (222.3)	8.88 (225.6)
JPI210	10.75 (273.1)	8.88 (225.6)
JPI212	10.75 (273.1)	10.88 (276.4)
JPI412	12.75 (323.9)	10.88 (276.4)
JPI614	14.75 (374.6)	12.88 (327.2)



PLASTIC LATCH  
(ORDER SEPARATELY)  
P/N NPLIL

**LEGEND EXAMPLE**

N I 644  
 — ENCLOSURE SIZE  
 — COVER TYPE  
 I-CLEAR COVER W/LATCH  
 H-OPAQUE COVER W/LATCH  
 — NEMA TYPE I-3-35-12-4/4X

NOTES:  
 I. ALL DIMENSIONS ARE INCHES AND (MILLIMETERS).

SIZE	A	B	C	D	E	F
-- 644	6.42 (163.1)	4.41 (112.0)	4.25 (108.0)	2.25 (57.2)	4.00 (101.6)	2.00 (50.8)
-- 664	6.42 (163.1)	6.42 (163.1)	4.25 (108.0)	4.25 (108.0)	4.00 (101.6)	4.00 (101.6)
-- 864	8.42 (213.9)	6.42 (163.1)	6.25 (158.8)	4.25 (108.0)	4.00 (101.6)	4.00 (101.6)
-- 884	8.42 (213.9)	8.42 (213.9)	6.25 (158.8)	6.25 (158.8)	4.00 (101.6)	6.00 (152.4)
-- 1084	10.42 (264.7)	8.42 (213.9)	8.25 (209.6)	6.25 (158.8)	4.00 (101.6)	6.00 (152.4)

SIZE	A	B	C	D	E	F
-- 1086	10.42 (264.7)	8.42 (213.9)	8.25 (209.6)	6.25 (158.8)	6.00 (152.4)	6.00 (152.4)
-- 10106	10.42 (264.7)	10.42 (264.7)	8.25 (209.6)	8.25 (209.6)	6.00 (152.4)	8.00 (203.2)
-- 12106	12.42 (315.5)	10.42 (264.7)	10.25 (260.4)	8.25 (209.6)	6.00 (152.4)	8.00 (203.2)
-- 12126	12.42 (315.5)	12.42 (315.5)	10.25 (260.4)	10.25 (260.4)	6.00 (152.4)	10.00 (254.0)
-- 14126	14.42 (366.3)	12.42 (315.5)	12.25 (311.2)	10.25 (260.4)	6.00 (152.4)	10.00 (254.0)
-- 16146	16.42 (417.1)	14.42 (366.3)	14.25 (362.0)	12.25 (311.2)	6.00 (152.4)	12.00 (304.8)

TITLE: HIDDEN HINGE ENCLOSURES

LAMSON & SESSIONS

ALL DRAWINGS ARE THE PROPERTY OF LAMSON & SESSIONS AND SHALL NOT BE REPRODUCED IN ANY FORM WITHOUT LAMSON & SESSIONS' APPROVAL AND ARE TO BE PROMPTLY RETURNED UPON REQUEST.

DRN. DATE  
 RG 12/6/94

APP. DATE  
 DK 6/24/97

PART NO:

NH/NI SERIES

DRAWING NO:

AC02094

REV. B